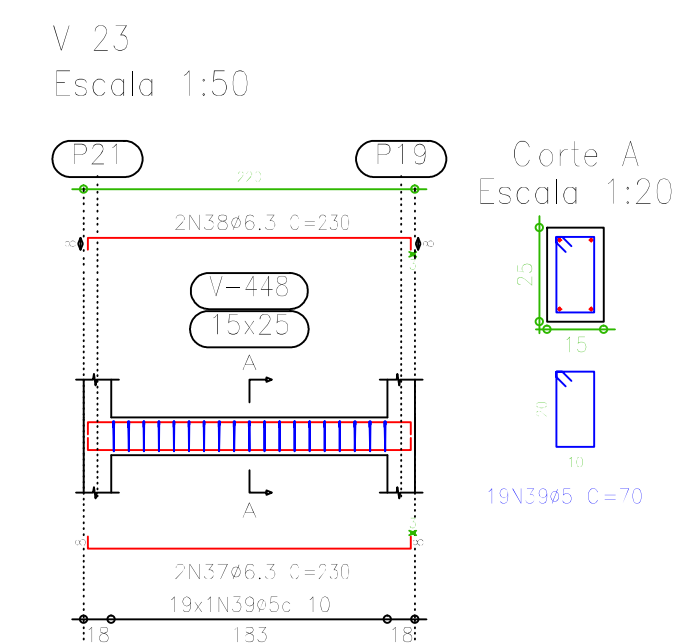
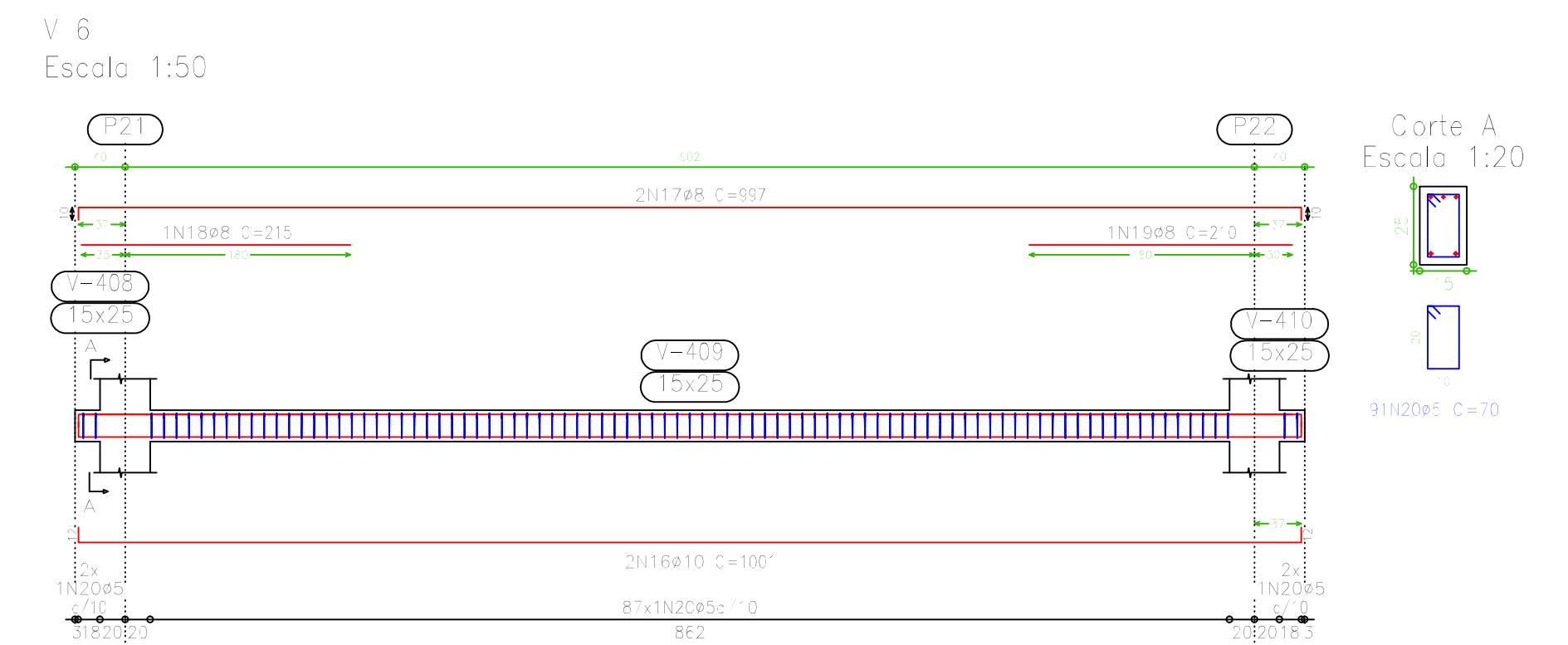
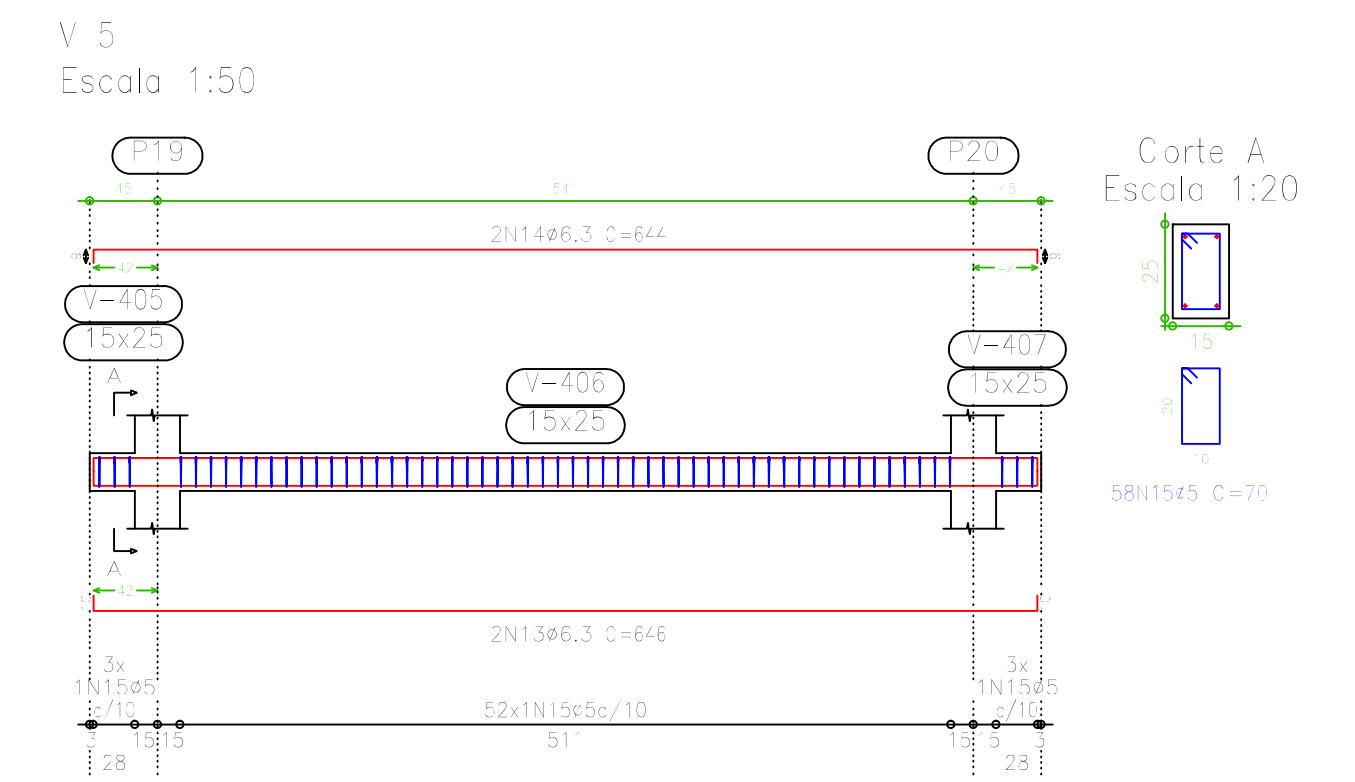
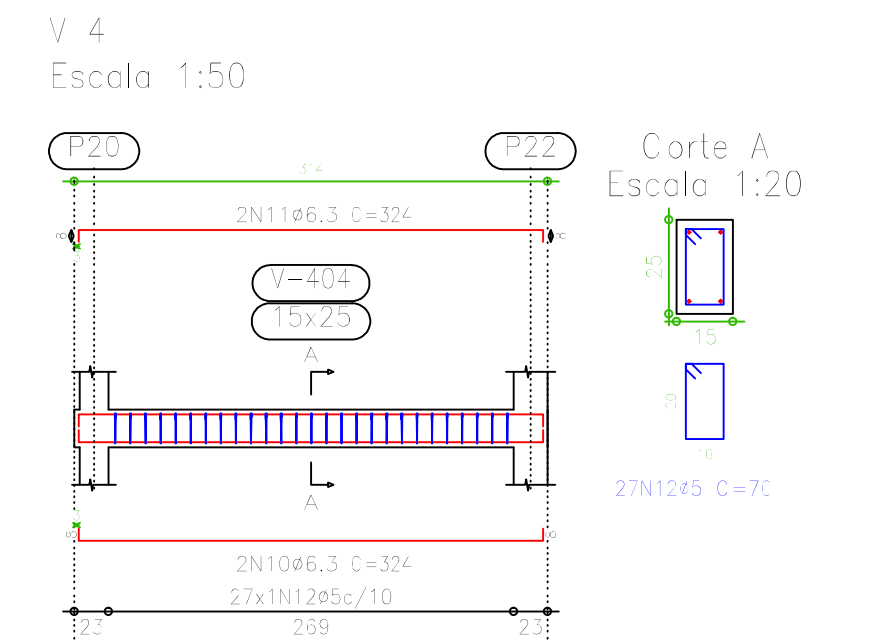
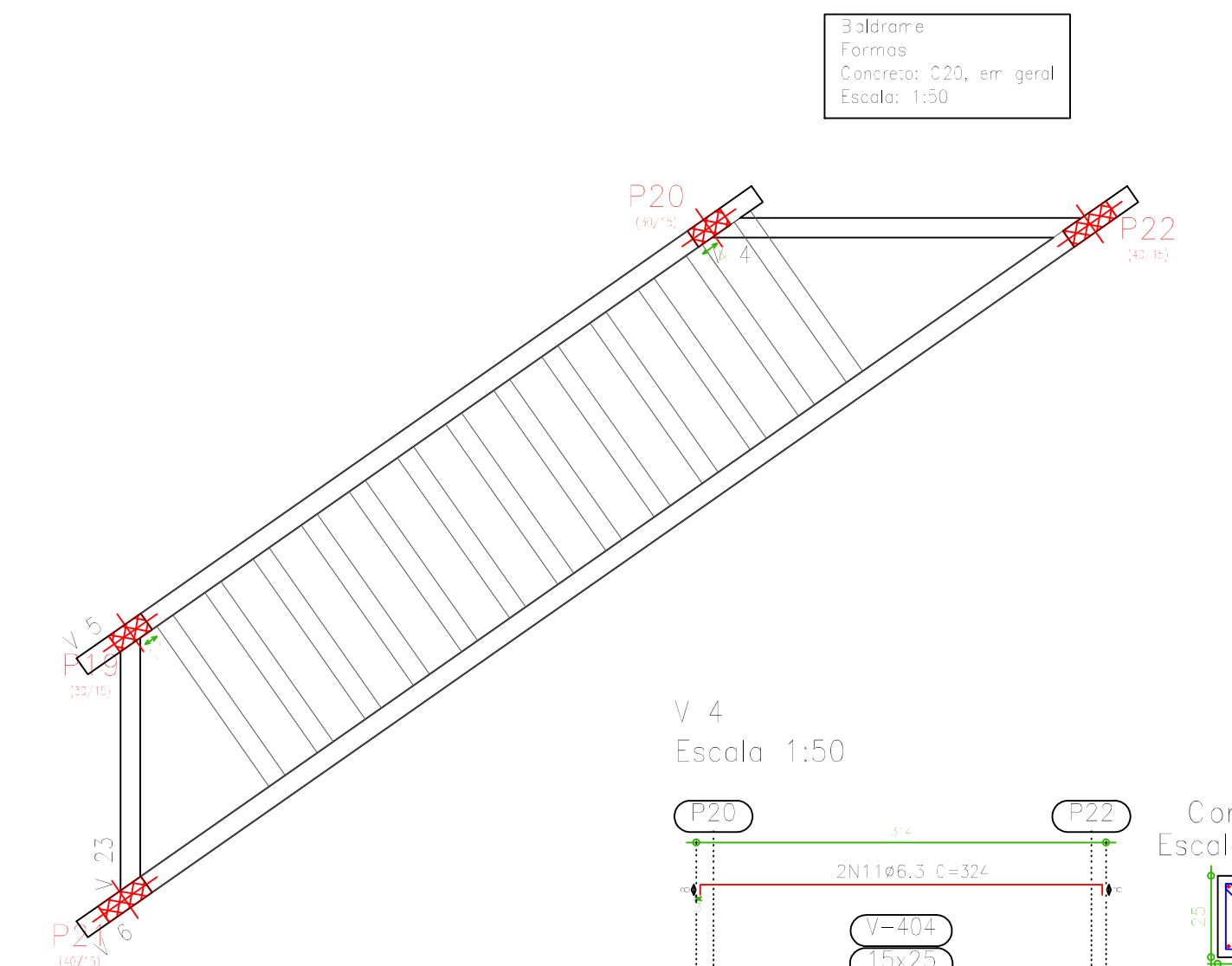


Elemento	Pos.	Diam.	Q.	Dob. (cm)	Reta (cm)	Dob. (cm)	Comp. (cm)	Total (cm)	CA-50-A (kg)	CA-60-B (kg)
V 4	10	ø6.3	2	8	306	8	224	648	1.9	3.0
	11	ø6.3	2	8	306	8	224	648	1.9	3.0
	12	ø5	27				70	1890		
Total+10%									3.8	3.3
V 5	13	ø6.3	2	10	626	10	646	1282	3.2	3.2
	14	ø6.3	2	9	626	9	597	1954	3.2	3.4
	15	ø5	56				70	4060		
	Total+10%									7.0
V 6	16	ø10	2	12	977	12	1001	2002	12.6	
	17	ø8	2	10	977	10	997	1954	7.8	
	18	ø8	1	10	215		215	215	0.8	
	19	ø8	1	10	210		210	210	0.8	
	20	ø5	91				70	6370		
Total+10%									24.2	1.0
V 23	37	ø6.3	2	8	214	8	230	460	1.1	
	38	ø6.3	2	8	214	8	230	460	1.1	
	39	ø5	15				70	1320		2.1
Total+10%									2.4	2.3

Resumo Aço	Comp. total (m)	Peso+10% (kg)	Total
CA-50-A	361.1	98	
ø8	253.4	109	
ø10	45.4	31	
ø12.5	56.0	60	
ø20	13.2	36	
ø25	14.8	64	398
CA-60-B	851.6	147	147
Total			545

Elemento	Formas (m²)	Barra (kg)	Armad. (kg)
Vigas	70.53	7.68	340
Formas (kg)	80.53		
Formas (kg)	24.95	4.48	377
Escadas	30.46	6.65	366
Total	166.4	18.81	1089
Armad. (kg)	7.43	33.44	6308



Elemento	Pos.	Diam.	Q.	Dob. (cm)	Reta (cm)	Dob. (cm)	Comp. (cm)	Total (cm)	CA-50-A (kg)	CA-60-B (kg)
V 1	1	ø6.3	2	8	190	8	206	412	1.0	
	2	ø6.3	2	9	190	9	208	416	1.0	
	3	ø5	17				70	1150		1.9
Total+10%									2.2	2.1
V 2	4	ø6.3	2	8	190	8	206	412	1.0	
	5	ø6.3	2	8	190	8	206	412	1.0	
	6	ø5	17				70	1150		1.9
Total+10%									2.2	2.1
V 3	7	ø6.3	2	8	386	8	401	802	2.0	
	8	ø6.3	2	8	386	8	401	802	2.0	
	9	ø5	36				70	2320		4.0
Total+10%									4.4	4.4
V 15	9	ø6.3	2	8	920	8	935	1870	4.6	
	10	ø6.3	2	8	920	8	935	1872	4.6	
	11	ø5	85				70	5950		9.3
Total+10%									10.1	9.2
V 16	12	ø6.3	2	8	236	8	246	452	1.2	
	13	ø6.3	2	8	236	8	246	452	1.2	
	14	ø5	21				70	1470		2.3
Total+10%									2.6	2.5
V 17	15	ø8	2	10	920	10	940	1880	7.4	
	16	ø8	2	10	920	10	940	1880	7.4	
	17	ø5	83				70	5810		9.1
Total+10%									16.3	16.0

